



rizoma

N° MODIFICA
N° CHANGE:

MXXXXX

PART NUMBER:

GR222

NAME:

Manopola
Grip

DATA MODIFICA

CHANGE DATE:

XX-XX-XXXX

SPARE PARTS - RICAMBI CLIENTE - ERSATZTEILE
PIEZAS DE REPUESTO - PECAS SOBRESSALENTES

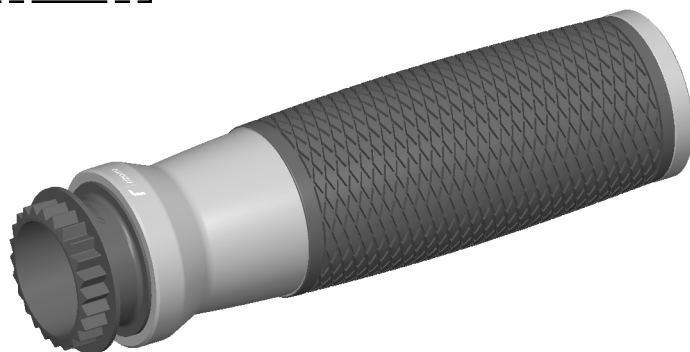
RV:

00



Lato Destro

Right Side

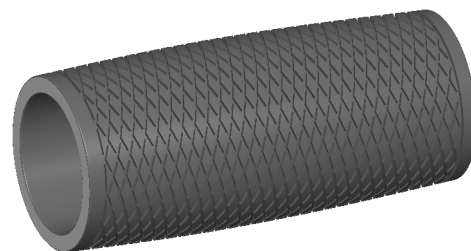


(RH Complete) **GR222-DX**



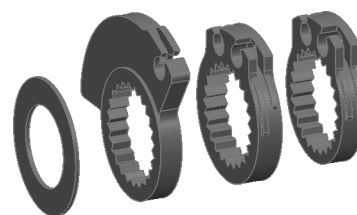
Gomma / Rubber

RB111



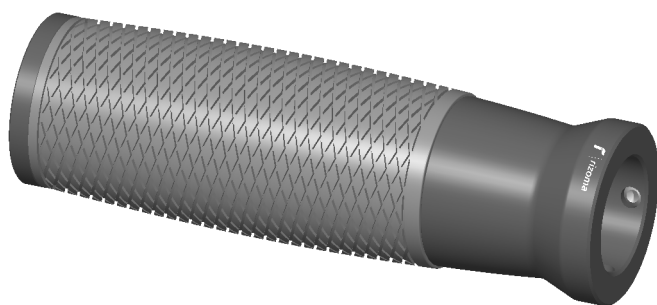
Tiracavi / Adaptors

GR100-KT



Lato Sinistro

Left Side

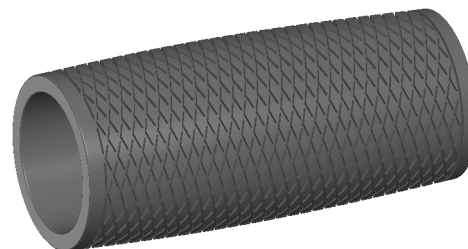


(LH Complete) **GR222-SX**



Gomma / Rubber

RB111



Vite / Screw

VG05X05CO

