

100 mm Radial CNC Caliper Kit P4 30/34

Code 220A16810 (hard anodized)

Code 220A80310 (nickel coating)



Spare Parts • Ricambi

Spindle / Perno

120394230

Spring / Molletta

120225590

Bleeding screw / Vite spurgo

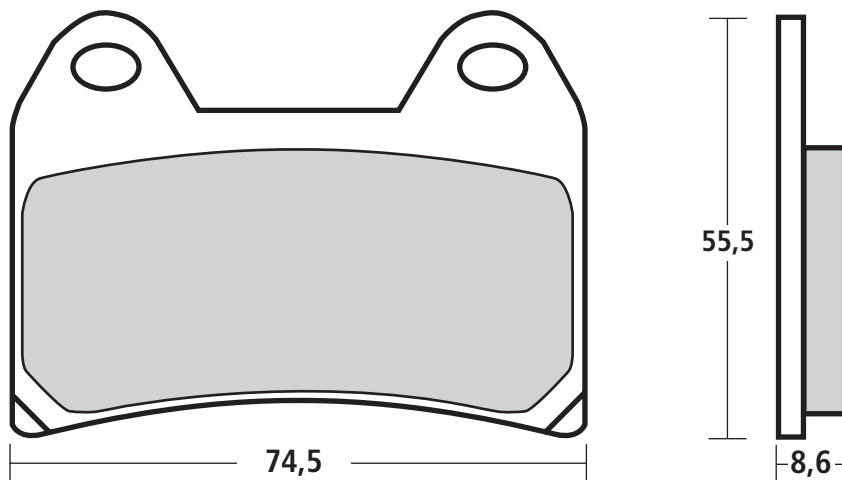
05281228

Pin / Copiglia

105454218

Technical Characteristics • Caratteristiche Tecniche

Pistons / Pistoni Ø	30 / 34 mm.
Construction Material / Materiale	CNC Aluminium / Alluminio CNC
Finishing / Finissaggio	Hard anod. - Nick. coat. / Anod. dura - Nichelata
Weight (with pads) / Massa (con pastiglie)	1030 gr.
Brake Fluid / Fluido freni	DOT 4
Hardware / Viteria	Steel / Acciaio
Pistons / Pistoni	Aluminium / Alluminio
Center to center / Interasse	100 mm.
Offset / Offset	30 mm.



Pads • Pastiglie

Code	Performance	Life
107670821	•	•
Genuine		
07BB1950	•	•
Genuine		

Pads • Pastiglie

Code	Performance	Life
07BB19RC	+	•
RC Compound		
107670823	++	•
Z04 Compound		