

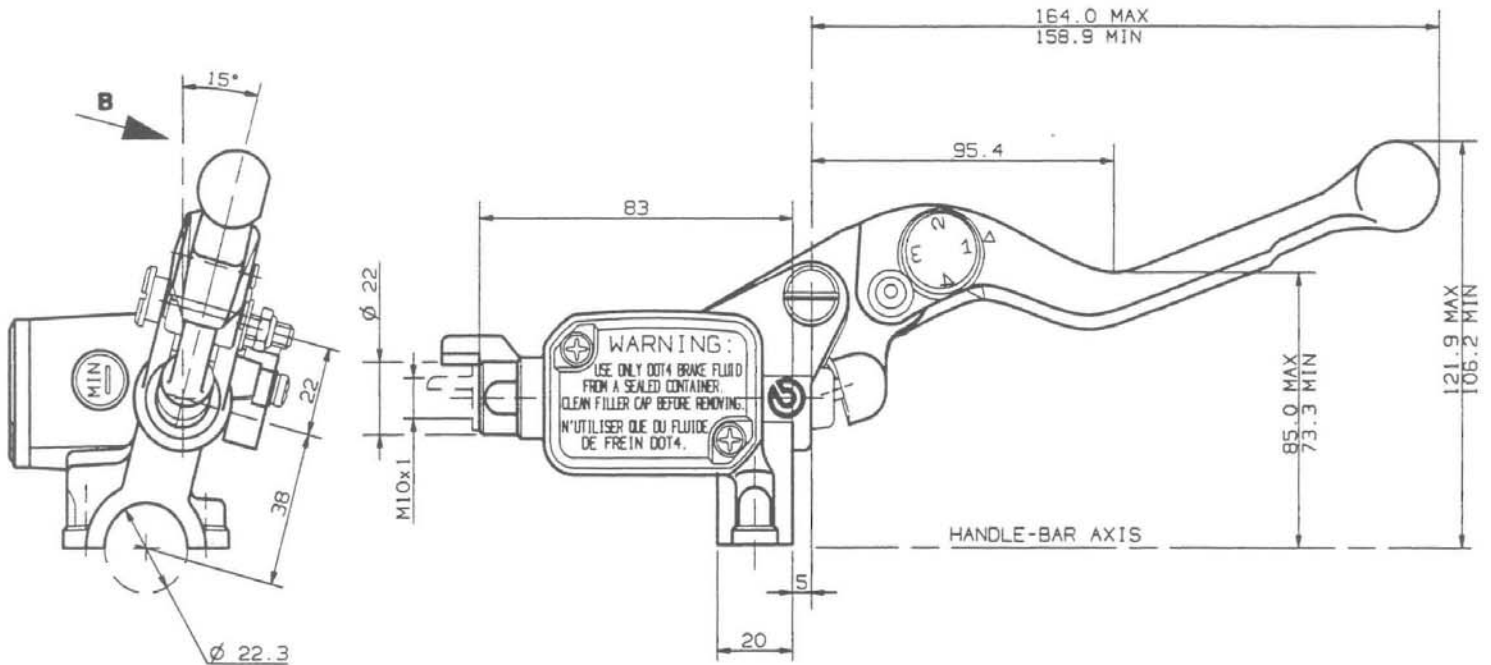


# FRONT MASTER CYLINDER

PS 13

10.6880.35

A



## DESCRIPTION

Front master cylinder with incorporated reservoir.

Construction Material: Aluminium Alloy.

Operating fluid: broke fluid DOT4.

Master cylinder  
BODY color:

Black Anodic  
Oxidation.

Master cylinder  
LEVER color:

Polished.

## TECHNICAL CHARACTERISTICS

Piston diameter:	13.0 mm
Weight:	0.350 Kg
Reservoir volume:	25.0 cm <sup>3</sup>
Reservoir volume difference between MAX and MIN level:	12.5 cm <sup>3</sup>