



HONDA CBR 600 RR (2009)

RACING & EVOLUTION EXHAUST SYSTEM

Akrapovic Racing and Evolution systems are designed for riders who demand maximum performance from their motorcycle. Both systems are significantly lighter if compared to stock exhaust system and feature exceptional production quality, hi-tech materials and of course increased engine performance combined with pure racing sound output. The Akrapovic Racing and Evolution systems were developed to complement the racing character of the CBR 600 RR. Evolution system is made entirely of our exclusive high grade titanium while Racing system uses stainless steel header tubes and link pipe. Both systems are not street legal and are designed for racing purpose only.

PERFORMANCE

Measurements of the Akrapovic EVOLUTION exhaust system on the HONDA CBR 600 RR (without muffler insert):

Power & Torque: the exhaust system modification with the EVOLUTION system results in a major boost in performance, delivering a massive 115.6 HP at 14070 rpm on back wheel. But the increased power isn't available just at the top of the range; the system shows its quality already from 5000 rpm up through entire rpm range. Max. increased power between the Akrapovic and the stock system is 6.4 HP at 13820 rpm. Besides this, the torque is substantially higher in a lower rpm area at 3000 rpm and from middle to high rpm area.



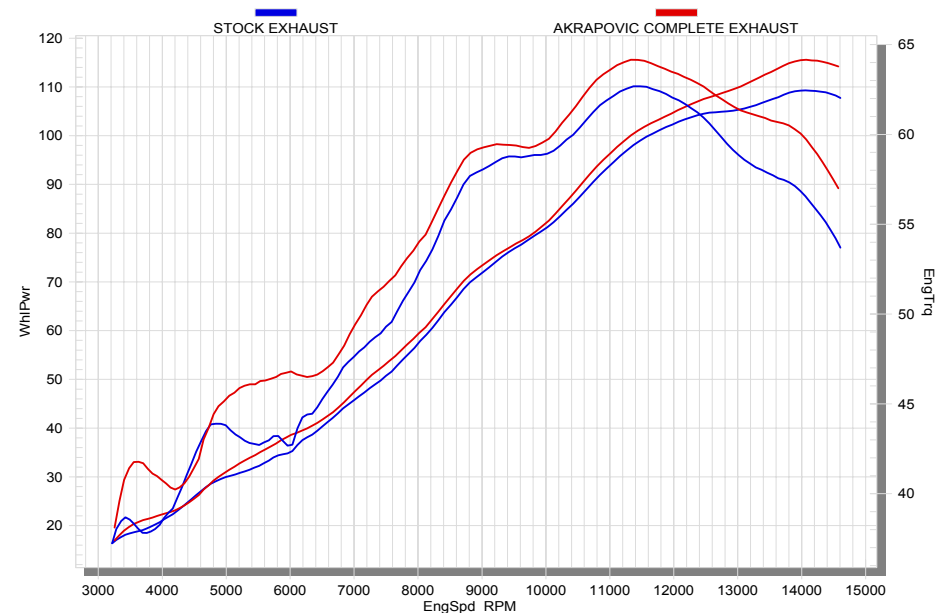
PERFORMANCE			
	stock	AKRAPOVIC	max. increased power
max. rear wheel power HP / rpm (measured on Dynojet ATV)	109.2/ 14150	115.6 / 14070	6.4 / 13820

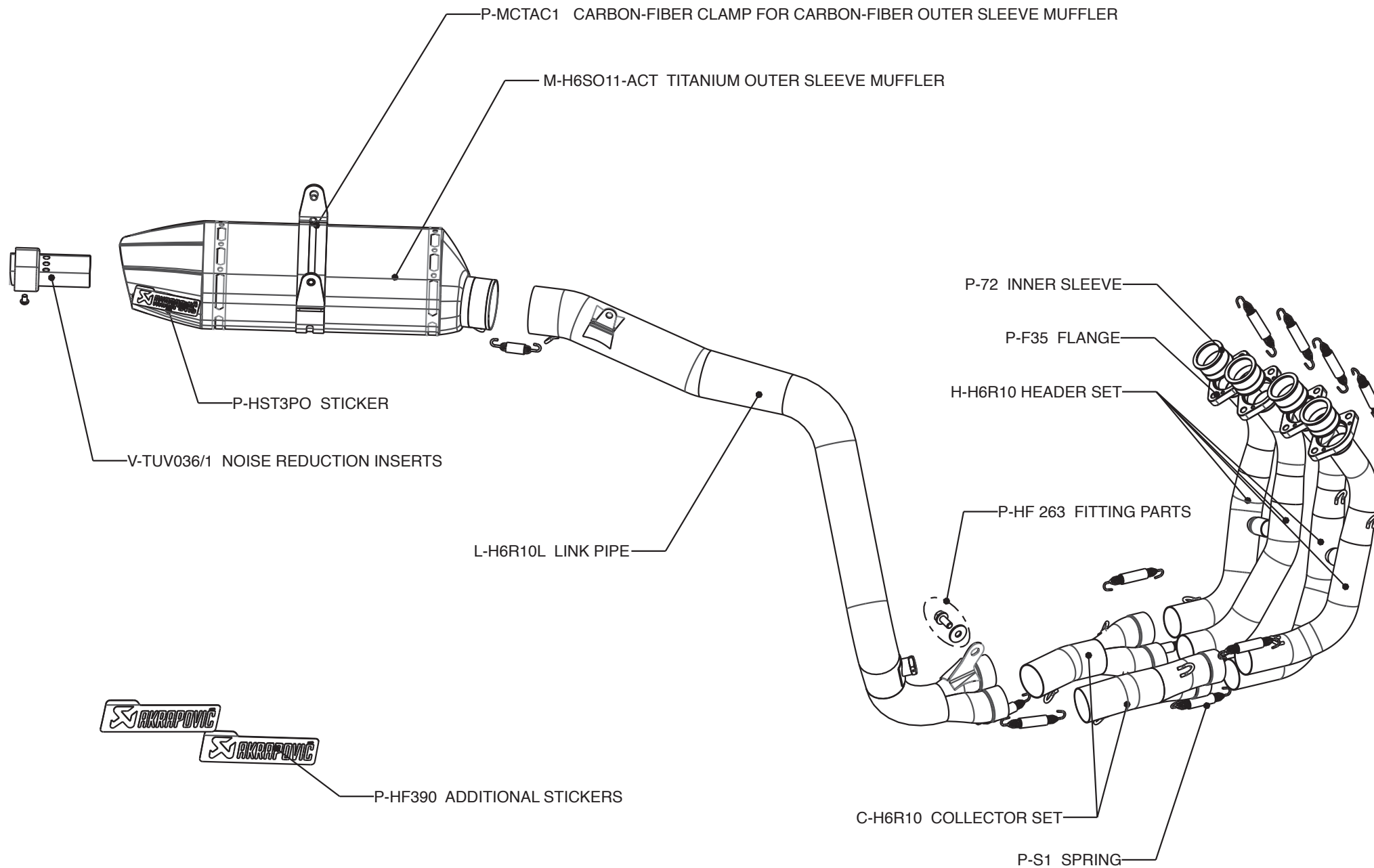
ADDITIONAL DATA					
weight comparison (kg)	stock	AKRAPOVIC		difference	
	7.51	RACING	EVOLUTION	stock - RACING	stock - EVOLUTION
		5.75	4.23	1.76	3.28

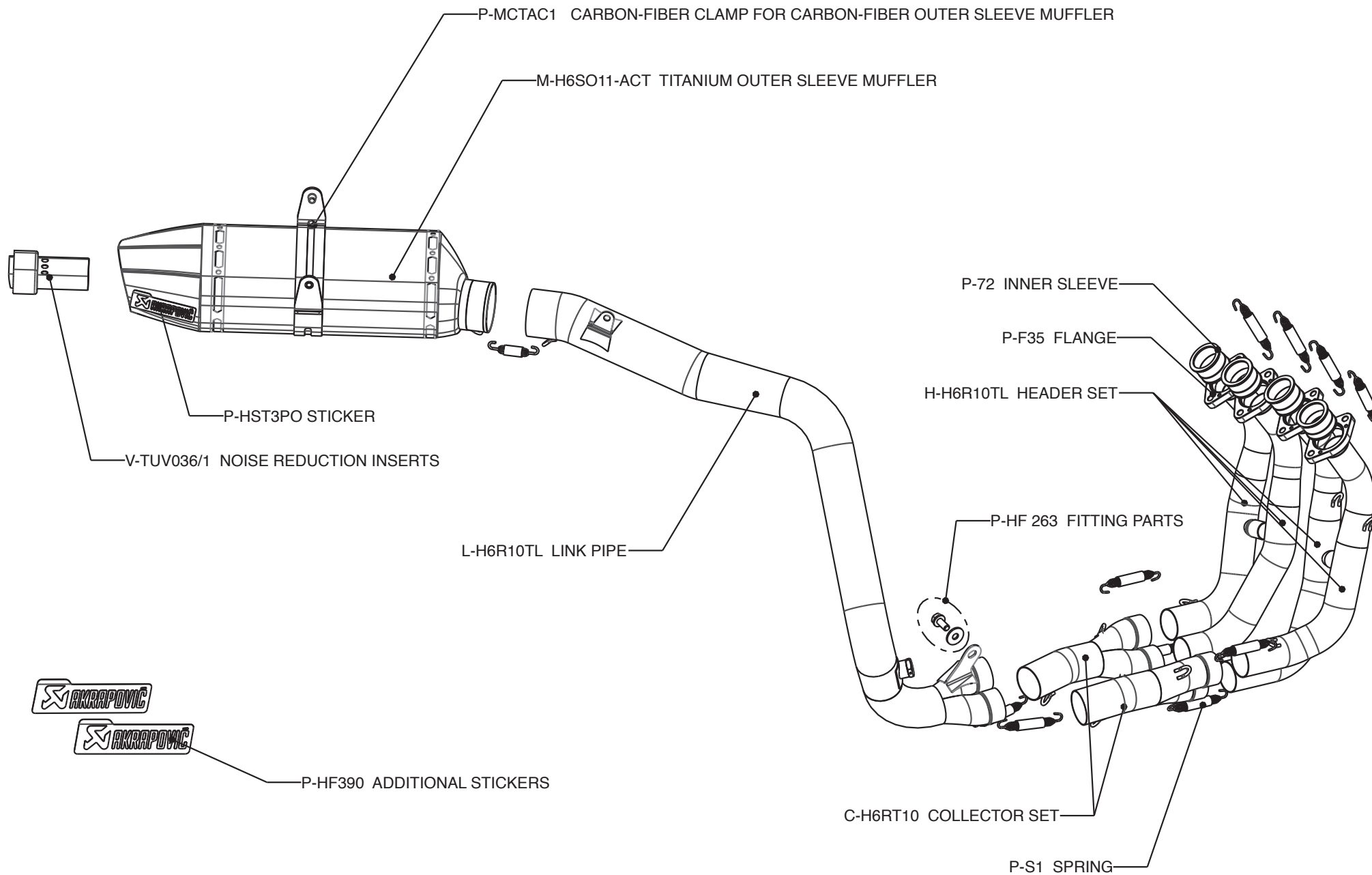
noise measurements (dB / rpm)	stock	AKRAPOVIC
		96 / 6750
legal for street use	NO	

Technical specifications of Akrapovic exhaust systems and related products subject to change without notice.

Product code: (110845) S-H6R10-ACT Racing line Open, (110847) S-H6RFT10T-ACT Evolution line (107500) S-H6REFT9T-WT Evolution KIT (110846) S-H6R10-ACT/1 Racing headers with slip-on street legal muffler (110848) S-H6RFT10-ACT/1 Evolution headers with slip-on street legal muffler

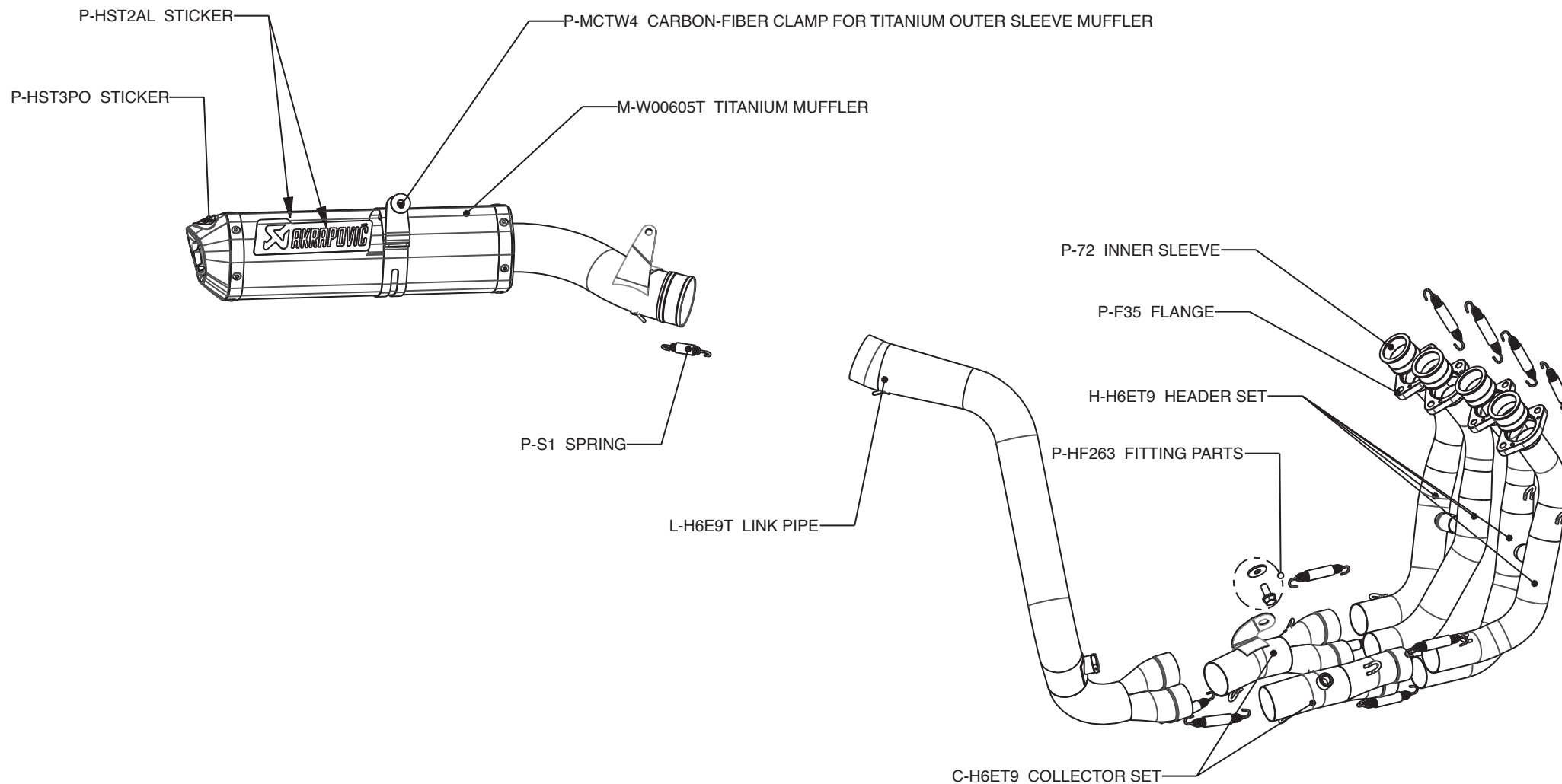


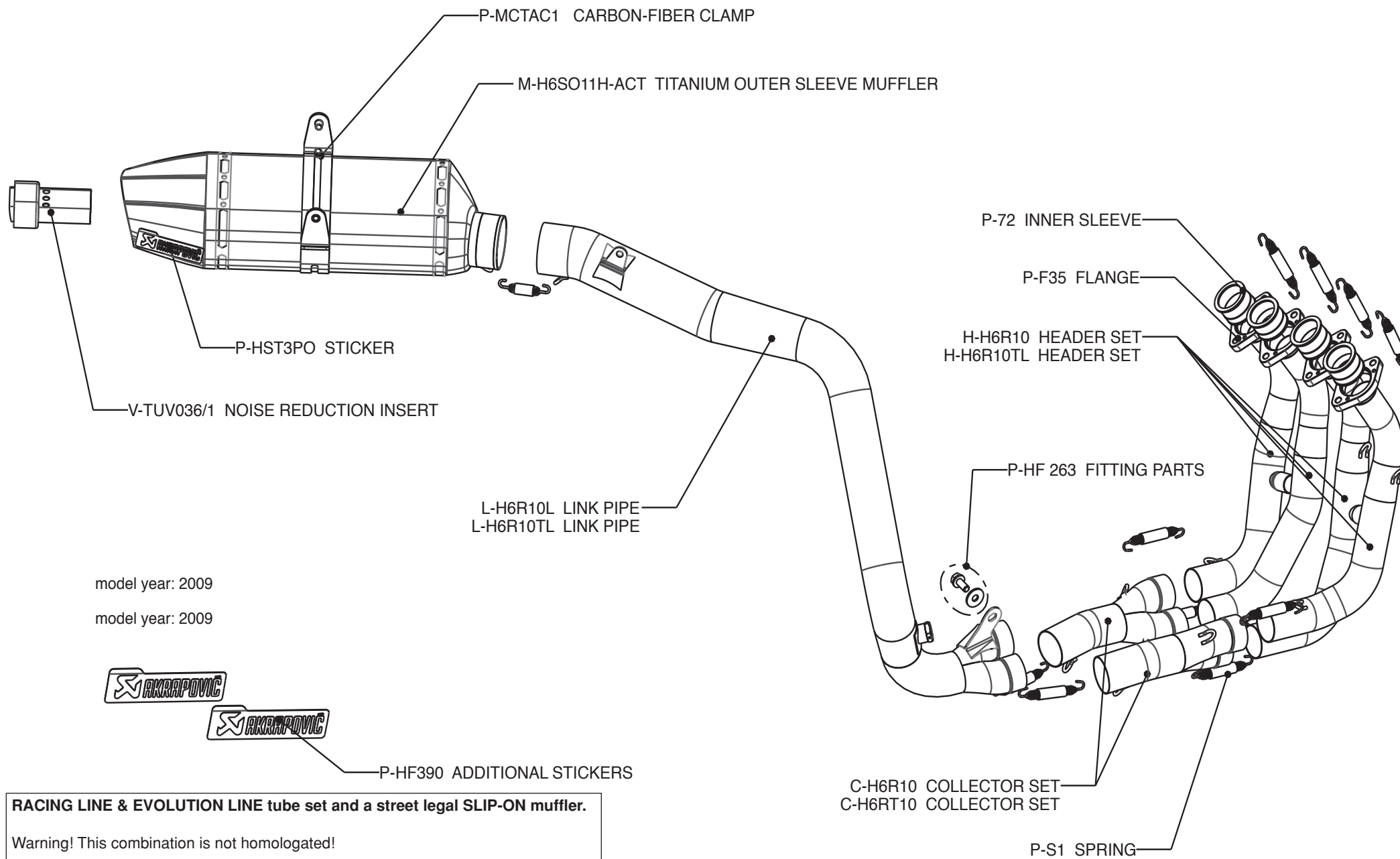




WARNING!

Stock cowling for Honda CBR 600RR model year 2009 is not possible to mount in combination with KIT system.





model year: 2009

model year: 2009

RACING LINE & EVOLUTION LINE tube set and a street legal SLIP-ON muffler.

Warning! This combination is not homologated!

Product code: (110846) S-H6R10-ACT/1 Racing headers with slip-on street legal muffler
 (110848) S-H6RFT10-ACT/1 Evolution headers with slip-on street legal muffler