

Radial CNC Monobloc Caliper P4 34 Code X99C460/61

Spare Parts • Ricambi

Spindle / Perno
X99C403 (x2)

Pin / Copiglia
05454217 (x2)

Spring / Molletta
X99C416 (x2)

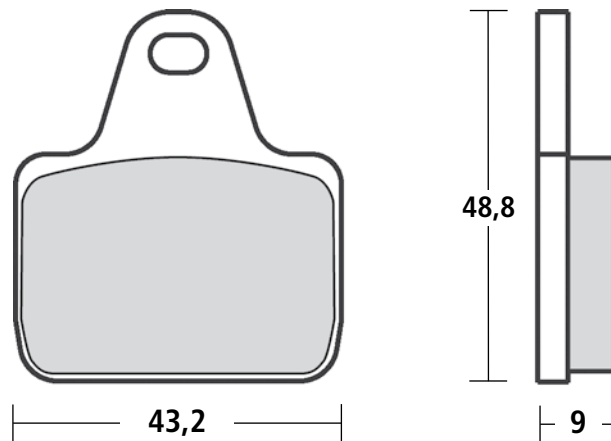
Bleeding Screw / Vite spurgo
05281222



Bleeding Screw Cover / Cappuccio Spurgo
05150220

Technical Characteristics • Caratteristiche Tecniche

Pistons / Pistoni Ø	34 mm.
Construction Material / Materiale	CNC Aluminium / Alluminio CNC
Finishing / Finissaggio	Hard Anodizing / Anodizzazione Dura
Weight (without pads) / Massa (senza pastiglie)	660 gr.
Brake Fluid / Fluido Freni	DOT 4
Hardware / Viteria	Titanium / Titanio
Pistons / Pistoni	Titanium / Titanio
Center to Center / Interasse	108 mm.
Offset / Offset	22,5 mm.
Specific for 30 mm. Rotor height	Specifica per Dischi Fascia bassa 30 mm.

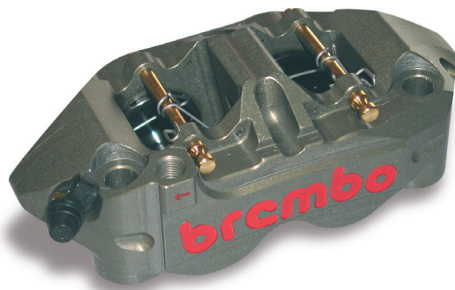
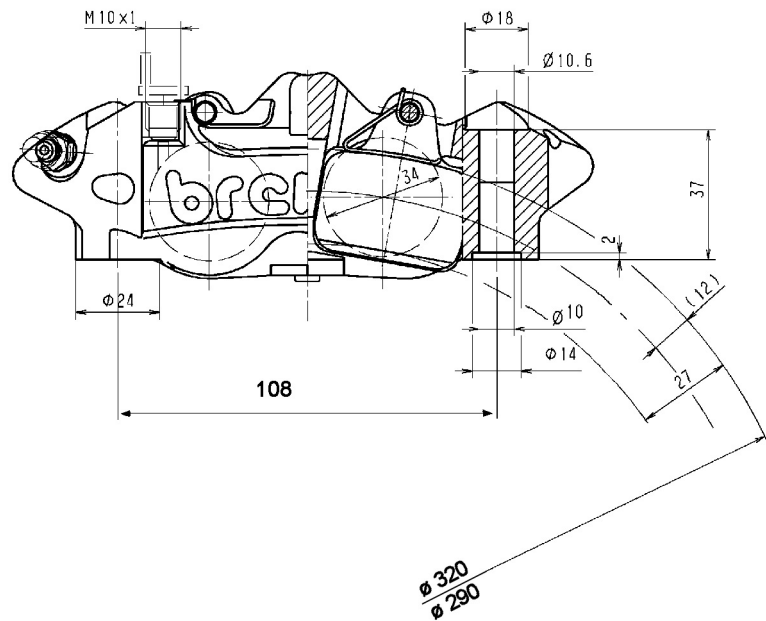
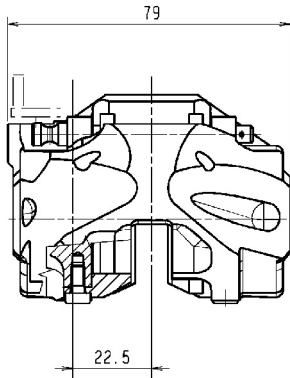


Pads • Pastiglie

Code	Performance	Life
M049Z04	•	•
Z04		

Radial Monobloc Caliper P4 34

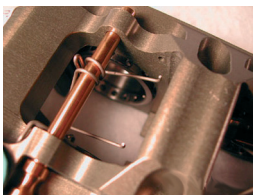
Code X99C460/61



Technical Characteristic • Caratteristiche Tecniche

Pistons ø ø Pistoni	34 mm.
Construction material Materiale	CNC Aluminium Alluminio CNC
Finishing Finissaggio	Hard anodizing Anodizzazione dura
Weight (with pads) Massa (con pastiglie)	660 gr.
Brake fluid Fluido freni	DOT 4
Average pads surface Superficie media materiale d'attrito	10,5 cmq.

Titanium pistons and Hardware - Four Pistons - Four pads.
Pistoni e perno pastiglie in titanio - Quattro pistoni - Quattro pastiglie.



Central bridge
to increase stiffness.

Particolare del
Ponticello
d'Irrigidimento