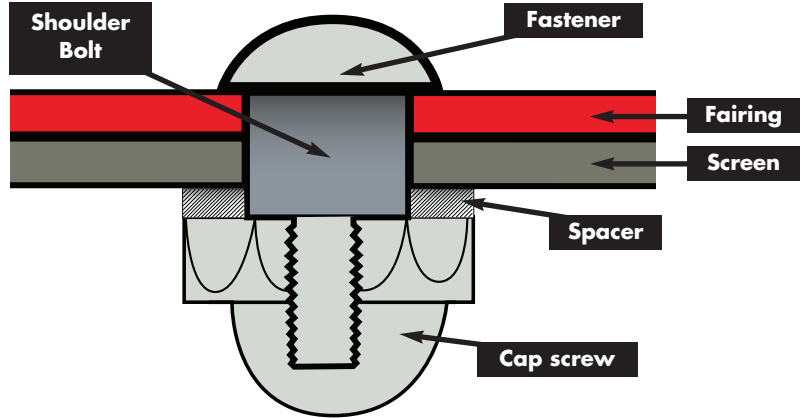


HONDA CBR1100XX '97-'06 DIY WINDSCREEN INSTALL

PLEASE READ BEFORE MOUNTING YOUR WINDSCREEN

Enclosed are two special spacers to be placed on the two windscreen fasteners at the upper rear corners of the fairing (one on each side near the base of the mirrors). These spacers will remove the slack caused by the difference in thickness between the stock windscreen and the Zero Gravity Windscreen. The two enclosed spacers should be placed under the small cap-nut that is positioned on the inner side of the fairing. The spacers are sized to fit over the shoulder of the bolts used in that location. This placement will allow the original equipment fasteners to fit securely.

Helpful hints: Use metric tools, clean hands, put the bike on a stand. Do not pry on the screen excessively, as it can break without warning.



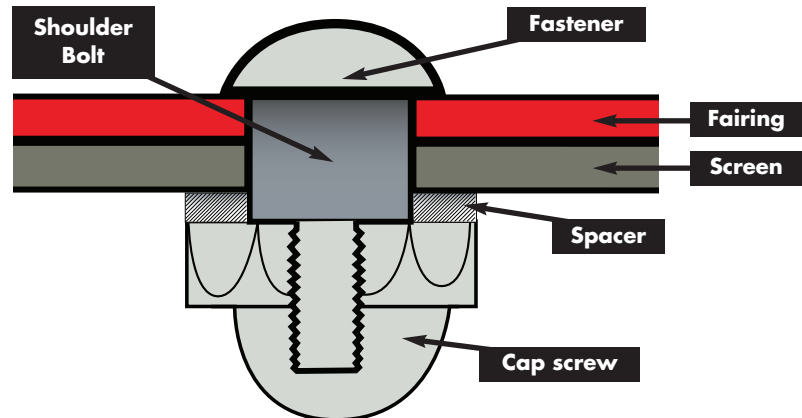
WWW.ZEROGRAVITY-RACING.COM

HONDA CBR1100XX '97-'06 DIY WINDSCREEN INSTALL

PLEASE READ BEFORE MOUNTING YOUR WINDSCREEN

Enclosed are two special spacers to be placed on the two windscreen fasteners at the upper rear corners of the fairing (one on each side near the base of the mirrors). These spacers will remove the slack caused by the difference in thickness between the stock windscreen and the Zero Gravity Windscreen. The two enclosed spacers should be placed under the small cap-nut that is positioned on the inner side of the fairing. The spacers are sized to fit over the shoulder of the bolts used in that location. This placement will allow the original equipment fasteners to fit securely.

Helpful hints: Use metric tools, clean hands, put the bike on a stand. Do not pry on the screen excessively, as it can break without warning.



WWW.ZEROGRAVITY-RACING.COM